

No. 85-I Inline Flame Arrester

Inline protection for volatile liquid storage tanks with Tokheim Flame Arresters.

Tokheim Inline Flame Arresters are designed to be used in line with vent pipes. In case of ignition of vapors they burn harmlessly at the flame arrester, preventing ignition of vapors in the tank and subsequent explosion.

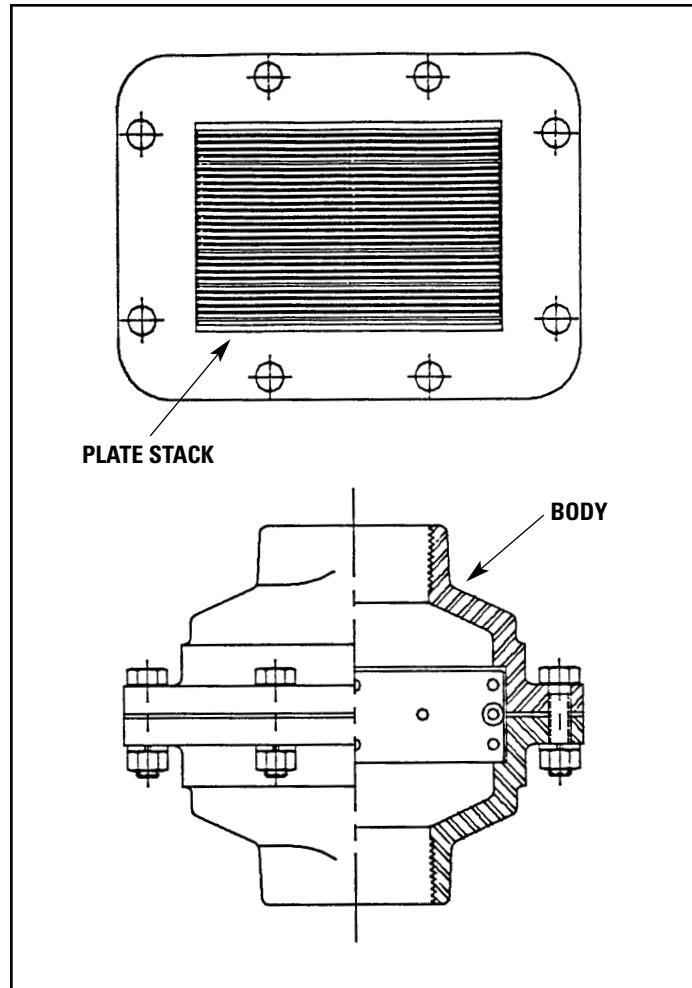
The Tokheim #85-I Flame Arresters consist of a two-piece cast iron housing and an aluminum plate stack. The plates are 1-1/4" wide, 4-3/8" long, and .061" thick. A total of 33 plates are spaced .020" apart to make a stack of 2-11/16". Fire cannot flash through this plate stack.

Vent pipes sizes:
3/4" to 2" in diameter

Working pressure:
380 psi, on threaded inline

Pressure drop:

cfm		psi	drop
120	@	100	8 psi
100	@	60	3 psi
60	@	50	2 psi



Installation

Be sure plate stacks and base are free of any packing materials.

Apply pipe sealer to connecting pipes, screw arrester on pipe by hand. Then tighten securely with a pipe wrench applied to flanges of unit.

Maintenance

Flame arresters have no moving parts, however it is important to inspect and clean the plate stacks periodically.

To inspect, remove the bolt holding the case halves together. Remove plate stacks and inspect by holding up to lights. Spaces between plates should be open.

To clean plate stack, immerse in warm soapy water and agitate to remove dirt. Rinse well with hot water and blow dry with compressed air. Clean unit with soft cloth dampened with naphtha. Replace plate stack and tighten nuts firmly.

The Tokheim Company • 560 31st Street • Marion, Iowa 52302 • (319) 362-4847 • Fax (319) 362-4229

Manufacturers of Quality Storage Tank Equipment Since 1898.

- Aboveground Tank Gauges
- Underground Tank Gauges
- Guided Float Kits
- Pressure-Vacuum Vents (2, 4, 6, 8, & 10 inch sizes)
- Flame Arresters (2, 3, 4, 6, 8, & 10 inch sizes)
- Combination Units of Flame Arrester & Pressure-Vacuum Vent (2, 4, 6, 8, & 10 inch sizes)
- Sampling Pumps
- Overfill Alarms